



DM-GF/HF Series Optical Transceivers

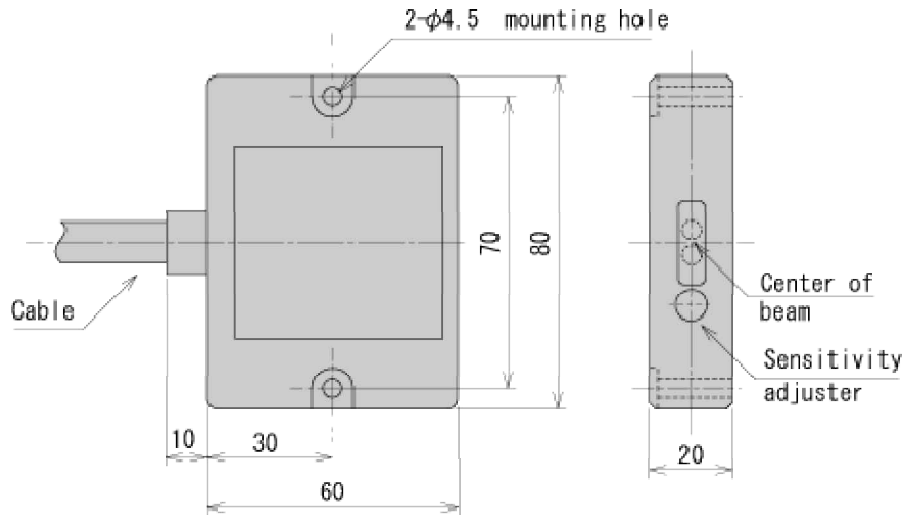
- Short-range serial type optical data transmission device
- Full duplex bidirectional data transfer
- Two frequencies used to prevent interference
- Transmission ranges from 600mm to 3 meters
- Head-on and Side-on directional mounting
- Transfers RS-232C and RS-422 signals
- 10-30 VDC

Type	Serial			
Model No.	DM-GF1A DM-GF1B	DM-GF2A DM-GF2B	DM-HF1A DM-HF1B	DM-HF2A DM-HF2B
Direction	Head on		Side on	
Transmission distance	0.6m	3m	0.6m	3m
Directional angle	10°	5°	10°	5°
Transmission method	Half-duplex two-way transmission			
Transmission speed	DC to 9,600bps			
Interface	RS-232C, RS-422			
Modulation method	FSK modulation			
Power source	10 to 30VDC (ripple 10% or less)			
Current consumption	140mA or less (12VDC), 60mA or less (24VDC)			
Ambient illuminance	10,000lux or less (Incandescent lamp)			
Ambient temperature/humidity	-10 to +50°C, 85%RH or less			
Connection	15 conductor lead wire 2m long			
Protective structure	IP64(IEC standard)			

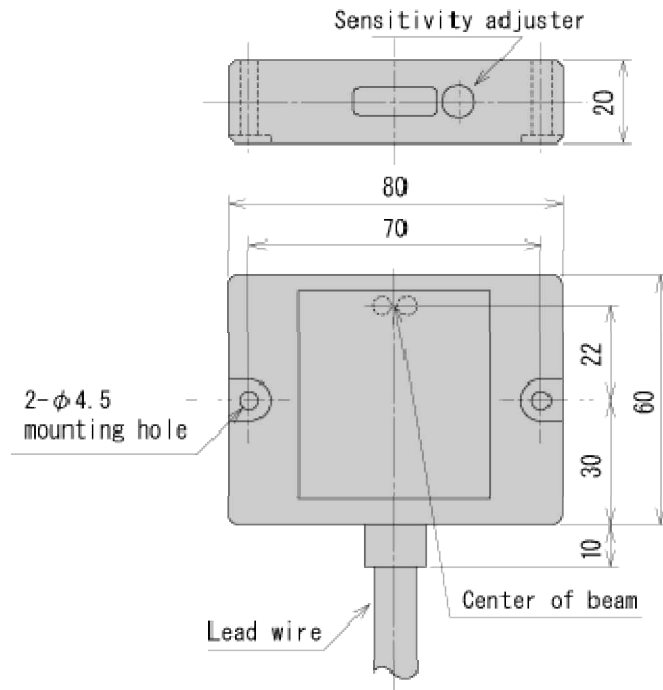
Note) Use in pairs (1 Type A and 1 Type B) due to full-duplex two-way transmission.

External dimensions

DM-GF1A/GF1B, DM-GF2A/GF2B (HEAD-ON type)



DM-HF1A/HF1B, DM-HF2A/HF2B (SIDE-ON type)



Input/output circuits

