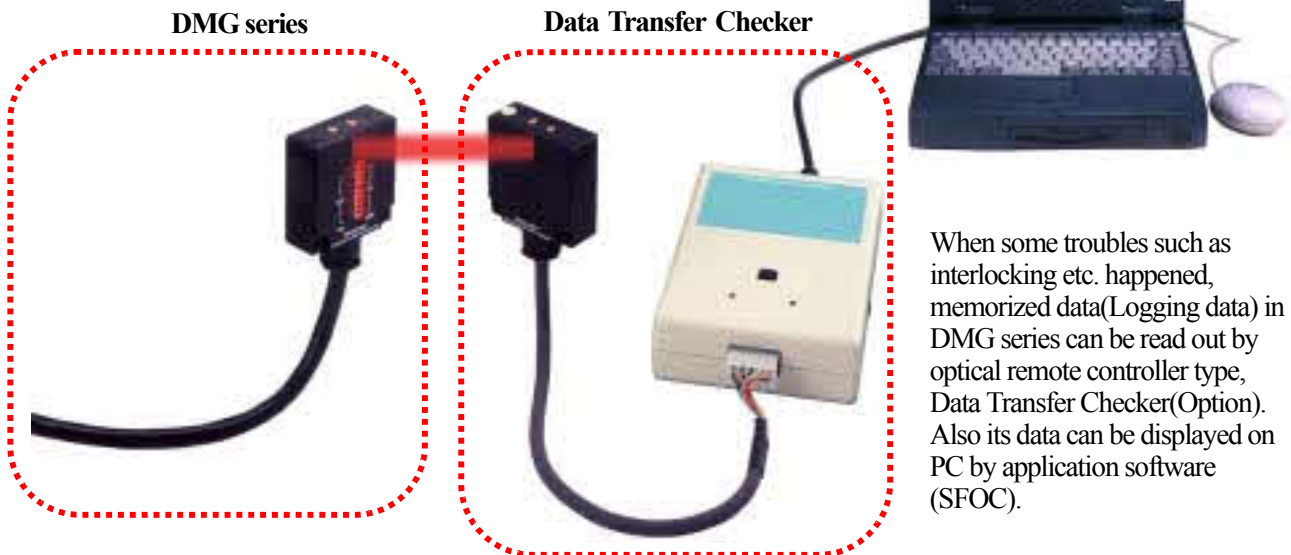


PARALLEL TYPE OPTICAL DATA TRANSMISSION DEVICE WITH LOGGING FUNCTION

DMG series

**USEFUL TO SOLVE SOME
TROUBLES SUCH AS
INTERLOCKING!
THIS IS COMPATIBLE WITH
DM/DMS SERIES(8 BITS TYPE)**

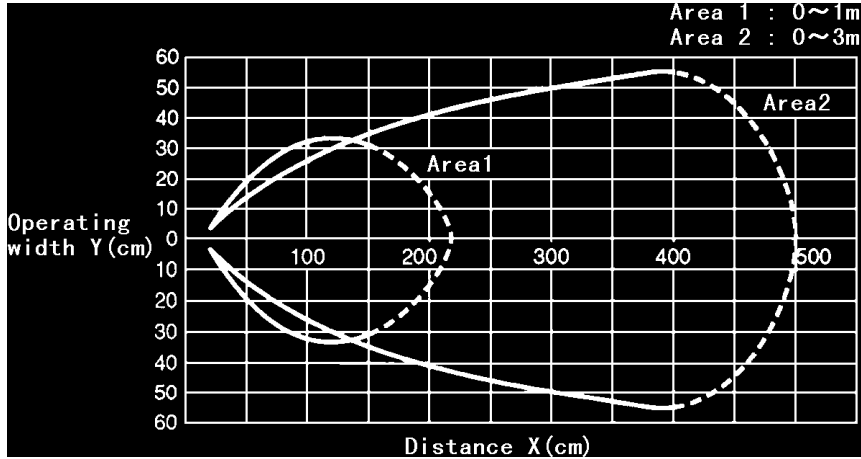


When some troubles such as interlocking etc. happened, memorized data(Logging data) in DMG series can be read out by optical remote controller type, Data Transfer Checker(Optional). Also its data can be displayed on PC by application software (SFOC).

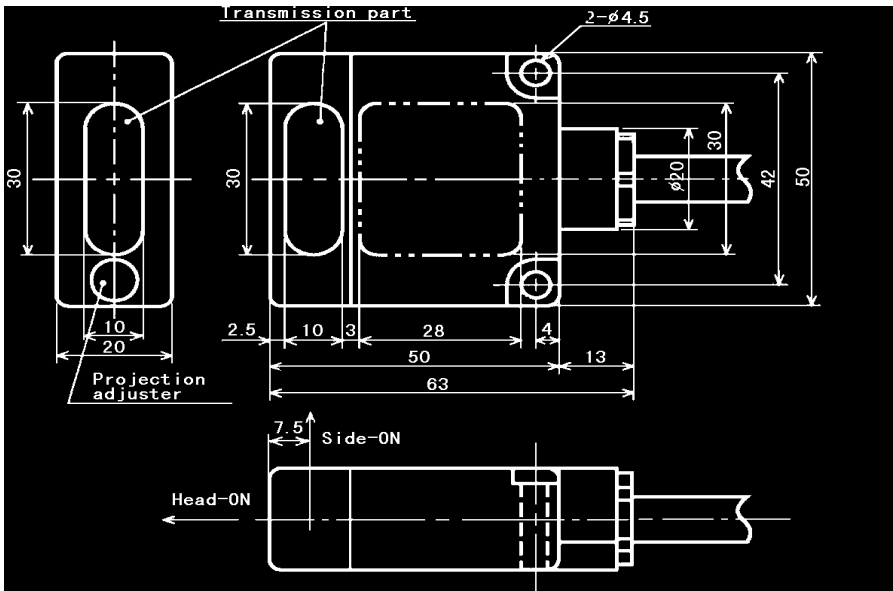
Specifications

Kinds	Parallel type(Input 8 bit/Output 8 bit)			
Model No.	DMG-GB1	DMG-GB2	DMG-HB1	DMG-HB2
Direction	HEAD-ON		SIDE-ON	
Transmission distance	0 to 1m	0 to 3m	0 to 1m	0 to 3m
Directional angle	30° (Full angle)	10° (Full angle)	30° (Full angle)	10° (Full angle)
Transmission method	Half-duplex two-way transmission			
Transmission time	40msec			
Modulation method	Pulse modulation			
Detection method	Parity check			
Power source	10 to 30VDC(Available range)			
Current consumption	100mA or less			
Ambient illuminance	4,000lux or less(Incandescent lamp)			
Ambient temperature/ Humidity	-10 to +50℃ , 85%RH or less			
Vibration resistance	Double amplitude 1.5mm, 10 to 30Hz, Each 2 hour in X, Y and Z directions			
Impact resistance	500m/s ² , Each 10 time in X, Y and Z directions			
Connection	Lead wire 2m long			
Protective structure	IP64(IEC standard)			

Transmission area(Typical example)

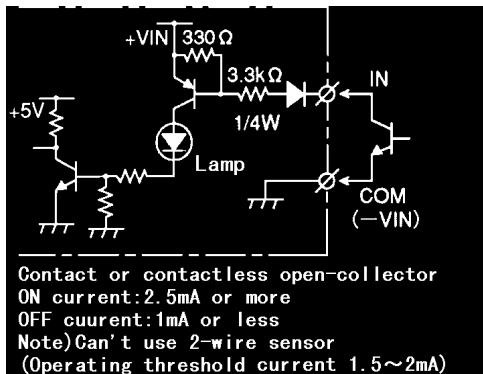


External dimension



Input/output circuit

*Input



*Output

