

Laser Distance Measuring Device LMC-J-0040-1

Precise – Robust – Long Distance

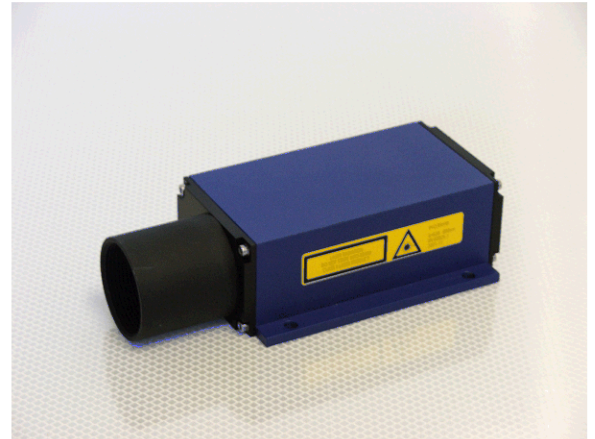
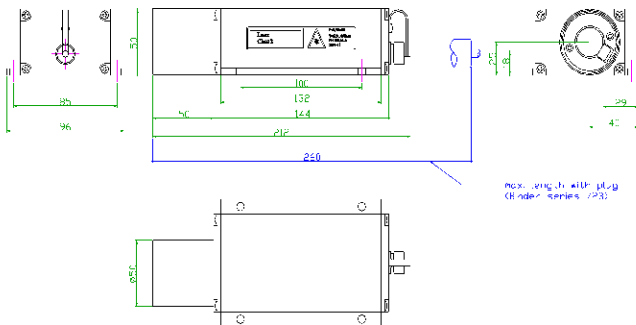
- Measures distances with millimeter accuracy
- Precisely defines positions
- Detects movements

The LMC-J-0040-1 is an opto-electronic distance measuring module for industrial applications. The module operates on basis of non-contact comparative phase measurement with amplitude modulation. The Laser diode (cw operation) has a divergence of 0.6 mrad for measurement with pinpoint accuracy. The measured result is available on the RS 232 / RS 422 data interface. A digital switching output, an analog 4 - 20mA output and optional Profibus output is also available.

The sensor alignment can be easily achieved with the help of the red pilot laser. Distance measuring can be achieved on any natural surface between 0.2 to 30 meters and for up to 100 meters a white reflective target is used for long range accuracy.

Features:

- Laser class 2 for eye safe operation
- Passive and Reflective measurement
- Millimeter accuracy measurement on any surface
- Easy installation and commissioning
- Network compatible (**Profibus or Wireless LAN**)
- Meets IP 65 protection class for industrial use
- Also available in explosion-proofed version.



Technical Data

Measuring range:	0.2 to 100 m on white surface.
Measuring accuracy:	± 2 mm under defined measuring condition ± 3 mm (+15°C to +35°C)
Measuring resolution:	0.1 mm
Repeatability	≤ 0,5 mm
Measuring rate: *1	10 Hz fixed on white surface, else typically 5 Hz (up to 10 Hz) (50Hz with Model LMC-J-0040-2)
Connector:	12 pin (Binder Series 723)
Laser divergence:	0.6 mrad
Laser classification:	≤ 1 mW under IEC 825-1, laser class 2 (red light)
Interface:	RS 232/RS 422 (internal switch), baud rate 9600, format 8n1, selection of measuring functions, scaling, measuring time, output of measured values, inner temperature, error codes, single measurement mode.
Switching output:	Programmable switching threshold and hysteresis, "high-side-switch" with 0.5 A load capacity.
Analogue output:	programmable distance range limits, 4 mA to 20 mA
Operating temperature:	-10 °C to +50 °C
Supply voltage:	10 V to 30 V <1,5 W (without IAlarm)
Phys. dimensions:	212 x 96 x 50 mm (L x W x H) length with plug max. 260 mm
Weight:	About 850 g
Protection class:	IP 65
Options:	Profibus Interface, Heating, Cooling, EEx Housing

Sensing Solutions for Material Handling and Factory Automation