

OPTICAL DATA TRANSMISSION DEVICE
FOR ETHERNET
PROVISIONAL SPECIFICATIONS



Europe's Official HOKUYO Distributor

1010 Cambourne Business Park, Cambridge, CB23 6DP UK.

Tel +44 (1223) 923 930 : Fax +44 (1223) 923 940
info@sentekeurope.com : www.sentekeurope.com

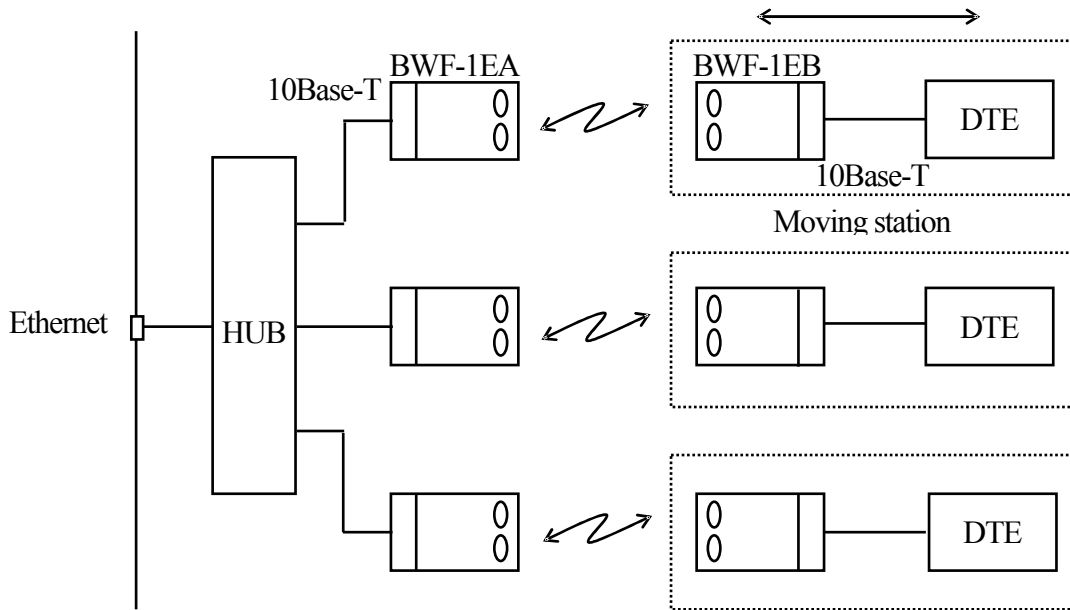
Symbol	Amended reason			Pages	Date	Corrector	Amended No.
Approved by	Checked by	Drawn by	Designed by	Title	Optical Data Transmission Device for Ethernet Provisional Specifications		
			OJIMA	Drawing No.	C-42-3012		1/3

Optical Data Transmission Device for DeviceNet Field Network
Specifications

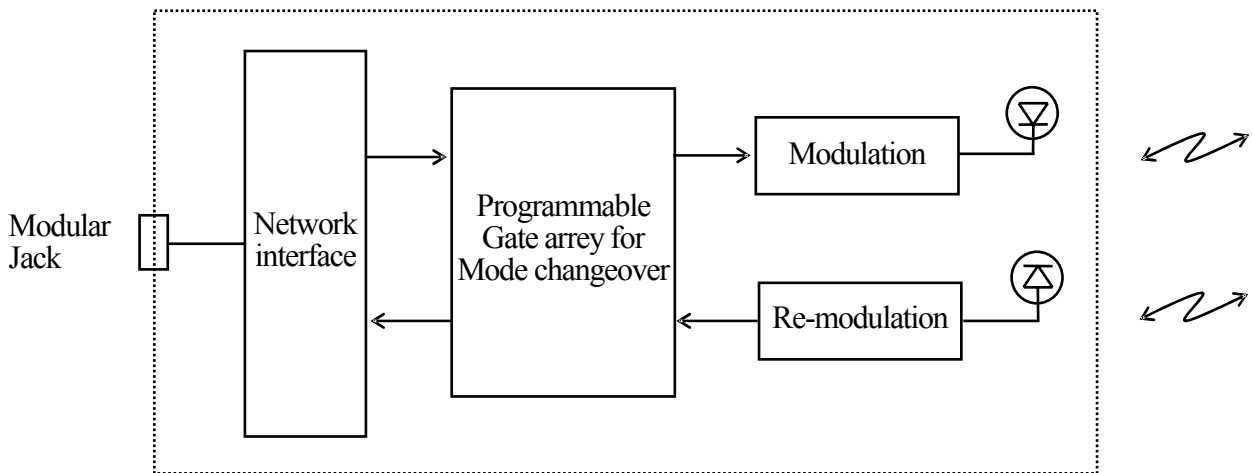
1. General

This device is a data transmission device that can make wireless LAN with infrared high-speed data transmission.

2. System construction



3. Hardware construction(Data transmission device)



4. Specifications

Model No.		BWF-1EA/B
Power source		24VDC(+/- 15%)
Current consumption		Max. 130mA(Input voltage 24VDC)
Transmission delay *Note 1		500nsec
Optical transmission part	Transmission distance	0 to 50m
	Directional angle	Full angle 2 degrees
	Transmission system	Full-duplex two-way transmission device
	Modulation system	FSK
Ethernet part	Transmission speed	DC to 20MBPS
	Connection type	10Base-T
	Communication speed	Max. 10MBPS
Communication		Modular jack
Ambient illuminance		10,000lux
Ambient temperature/humidity		-10 to +50 ^{mm} , 10 to 85%RH or less
Ambient temperature when stored		-20 to +75 ^{mm}
Vibration resistance		Double amplitude 1.5mm, 10 to 55Hz, Each 2 hour in X, Y and Z directions
Impact resistance		490m/s ² (50G), Each 10 time in X, Y and Z directions
Protective structure		IP40
Indication lamps		PW : Power lamp RUN : Normal inner LCA lamp SD : Carrier output lamp(Optical transmission part) RD : Carrier input lamp(Optical transmission part) C : Main station carrier detection lamp ⇨ 1 : Main station light-reception level margin 1.5 times 2 : Main station light-reception level margin 2.0 times 3 : Main station light-reception level margin 2.5 times S : Sub station carrier detection lamp ⇐ 1 : Sub station light-reception level margin 1.5 times 2 : Sub station light-reception level margin 2.0 times 3 : Sub station light-reception level margin 2.5 times

Note 1) This means delay time from input at the one side to output at the opposite side.



Europe's Official HOKUYO Distributor

1010 Cambourne Business Park, Cambridge, CB23 6DP UK.

Tel +44 (1223) 923 930 : Fax +44 (1223) 923 940

info@sentekeurope.com : www.sentekeurope.com

Title	Optical Data Transmission Device for Ethernet Provisional Specifications	Drawing No.	C-42-3012	3/3
-------	--	-------------	-----------	-----