

OPTICAL DATA TRANSMISSION DEVICE  
SPECIFICATIONS

DMS-GB1-P(HEAD-ON, PNP OUTPUT)  
DMS-GB2-P(HEAD-ON, PNP OUTPUT)  
DMS-HB1-P(SIDE-ON, PNP OUTPUT)  
DMS-HB2-P(SIDE-ON, PNP OUTPUT)



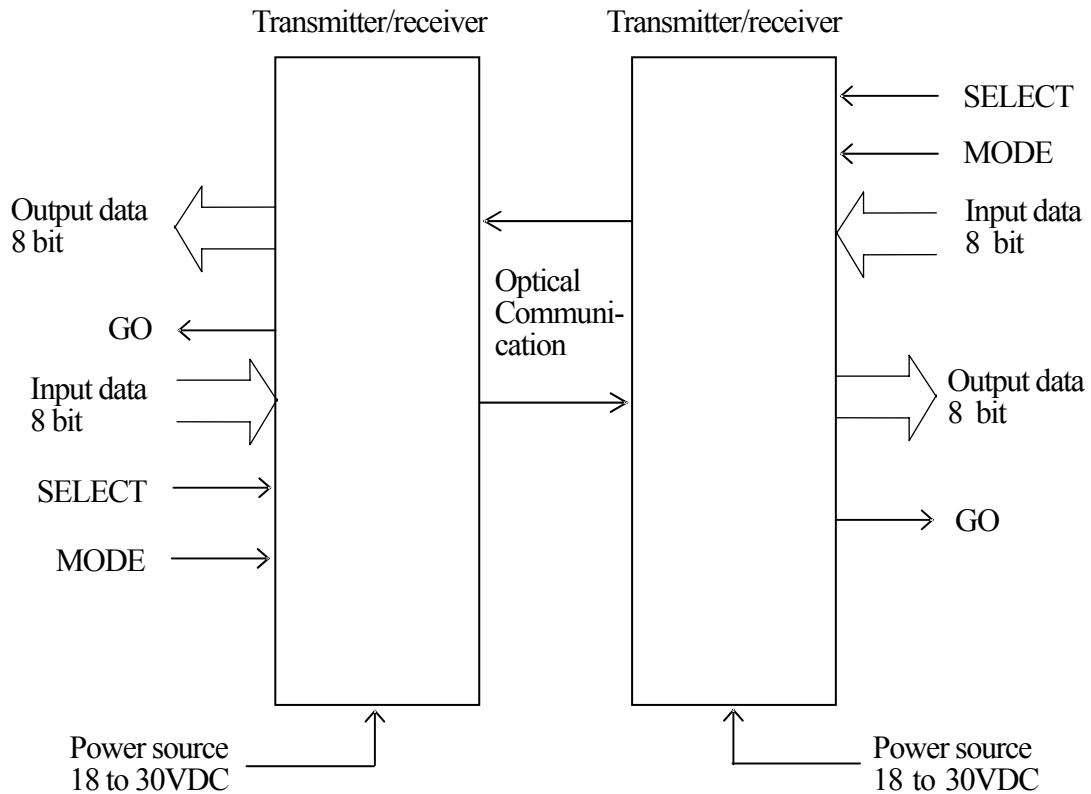
**Europe's Official HOKUYO Distributor**

1010 Cambourne Business Park, Cambridge, CB23 6DP UK.

Tel +44 (1223) 923 930 : Fax +44 (1223) 923 940  
info@sentekeurope.com : www.sentekeurope.com

Symbol	Amended reason			Pages	Date	Corrector	Amended No.
Approved by	Checked by	Drawn by	Designed by	Title	Optical Data Transmission Device DMS-GB/HB-P Specifications		
			IGUCHI				

## 1. Configuration



## 2. Specifications

Model No.	DMS-GB1-P	DMS-HB1-P	DMS-GB2-P	DMS-HB2-P
Transmission distance	0 to 0.6m(Adjustable)		0 to 3.0m(Adjustable)	
Directive angle	+/- 15 degrees		+/- 5 degrees	
Transmission directions	HEAD-ON	SIDE-ON	HEAD-ON	SIDE-ON
Transmission capacity (Input/Output)	8 bit/8 bit			
Transmission method	Half-duplex two-way transmission			
Transmission time	40msec			
Modulation method	Pulse modulation			
Verification method	Parity check			
Power source	24VDC(11 to 30V available) Ripple 5% or less			
Current consumption	100mA Max.			
Ambient illuminance	4,000lux or less			
Ambient temperature/humidity	-10 to 50 degrees C~85%RH or less			
Vibration resistance	Double amplitude 1.5mm, 10 to 30Hz, Each 2 hour in X, Y and Z directions			
Impact resistance	500m/s <sup>2</sup> Each 10 times in X, Y and Z directions			
Connection	Cable type(0.2mm <sup>2</sup> , 22-core shield cable)			
Protective structure	IP64			

Title

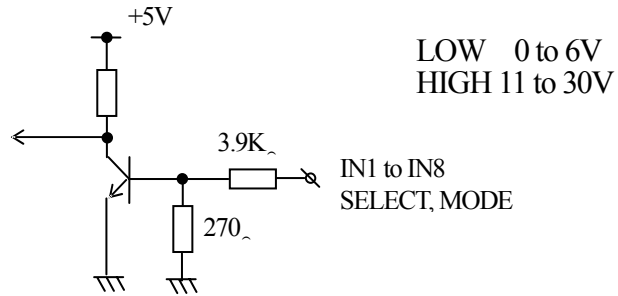
Optical Data Transmission Device  
DMS-GB/HB-P Specifications

Drawing  
No.

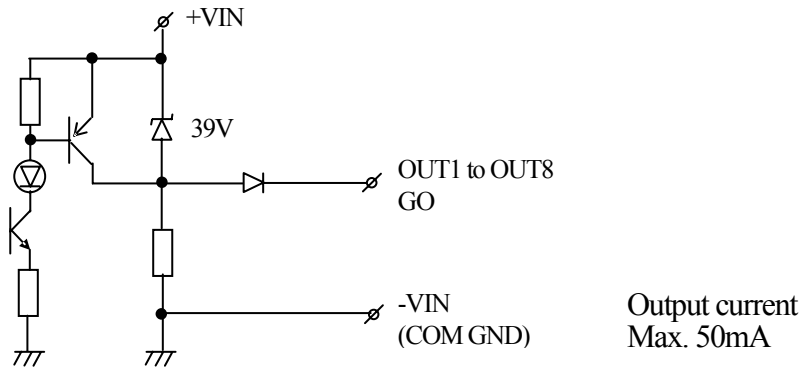
C-42-3144

2/5

Input  
IN1 to IN8, SELECT,  
MODE



Output, OUT1 to OUT8,  
GO



### 3. Transmission characteristics

#### (1) Characteristics data

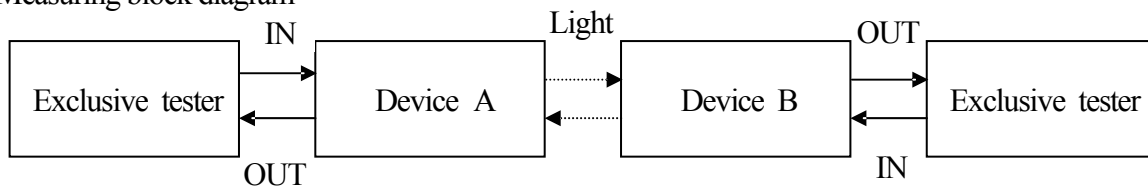
Items	Symbols	Unit(msec)	
		MIN	MAX
Input data holding time	tIH	30	-
Transmission time	tON, tOFF	13	40
Transmission starting delay time (Against optical axis coincidence)	tSD	30	110
Output holding time(Against SELECT A)	tOH1	50	90
Output holding time(Against SELECT B)	tOH2	-	5
Output holding time(Against light-interruption)	tOH3	50	90

#### (2) Characteristics measuring condition

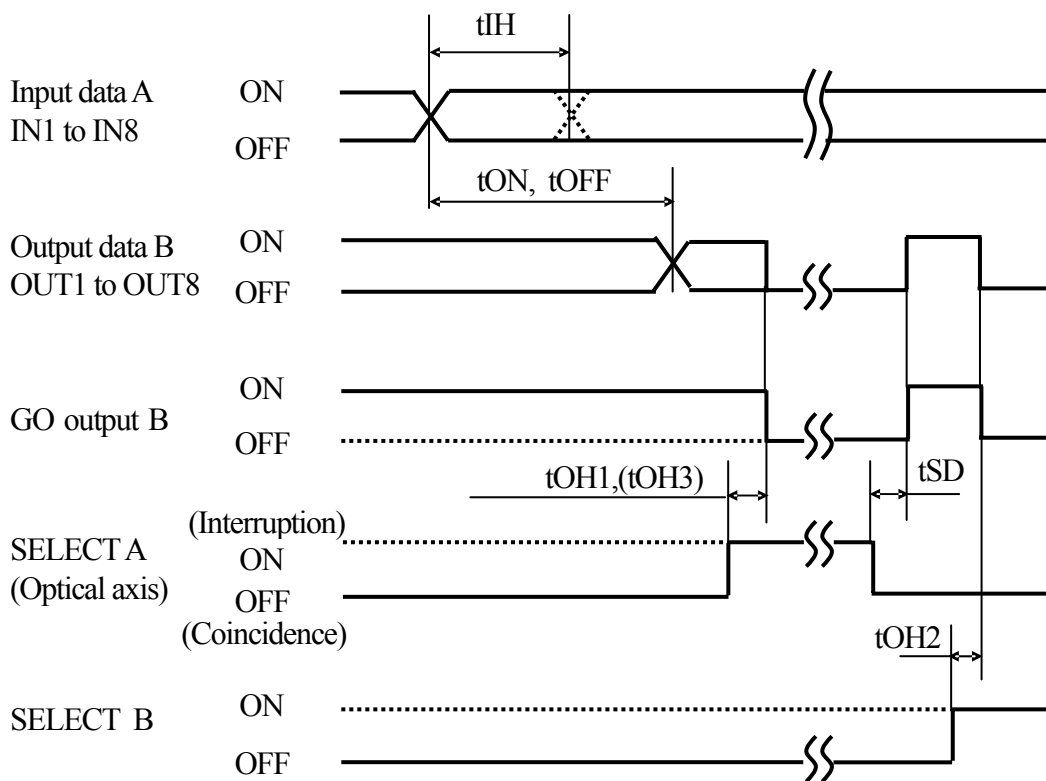
\*Mode : Side A – Reception stand-by mode, Side B – Transmission stand-by mode

\*It was measured under input(side A) and output(side B).

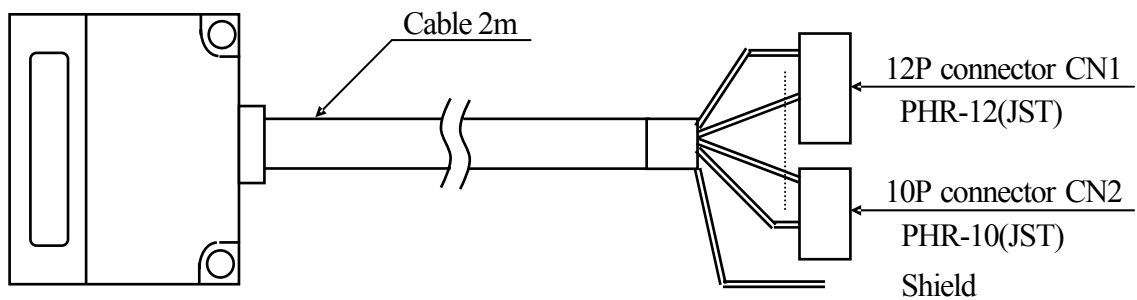
#### (3) Measuring block diagram



(4) Transmission timing



4. External wiring



Colors	Pin No.	Functions
Brown	CN1-3	IN1
Red	CN1-4	IN2
Orange	CN1-5	IN3
Yellow	CN1-6	IN4
Green	CN1-7	IN5
Blue	CN1-8	IN6
Purple	CN1-9	IN7
Gray	CN1-10	IN8
White	CN1-11	SELECT
Pink	CN2-1	MODE
Brown/black	CN2-10	OUT1
Red/Black	CN2-9	OUT2

Colors	Pin No.	Functions
Orange/Black	CN2-8	OUT3
Yellow/Black	CN2-7	OUT4
Green/Black	CN2-6	OUT5
Blue/Black	CN2-5	OUT6
Purple/Black	CN2-4	OUT7
Gray/Black	CN2-3	OUT8
White/Black	CN2-2	GO
Pale blue	CN1-12	COM
Pink/Black	CN1-2	+VIN
Pale blue/Black	CN1-1	-VIN
Shield (Green Contractible tube)		Shield

5.Function for each terminal

Terminals	Functions	
IN1 to IN 8	Input data	
OUT1 to OUT8	Output data	
SELECT	It is shorted to +VIN : Transmission/reception is stopped It is opened : Transmission/reception is operated	
MODE	It is opened : Transmission standby mode It is shorted to +VIN : Reception standby mode	
GO	It is ON when normal data was received and OFF when light was interrupted	
COM	Common for input/output	
+VIN	+24V(18 to 30V)	Power source
-VIN	0V	

Note) Make sure to set other one to reception standby mode.



**Europe's Official HOKUYO Distributor**

1010 Cambourne Business Park, Cambridge, CB23 6DP UK.

Tel +44 (1223) 923 930 : Fax +44 (1223) 923 940  
**info@sentekeurope.com : www.sentekeurope.com**

Title	Optical Data Transmission Device DMS-GB/HB-P Specifications	Drawing No.	C-42-3144	5/5
-------	--	----------------	-----------	-----