

WIDE AREA SERIAL TYPE
DATA TRANSMISSION DEVICE
DMW-GF2

SPECIFICATIONS



Europe's Official HOKUYO Distributor

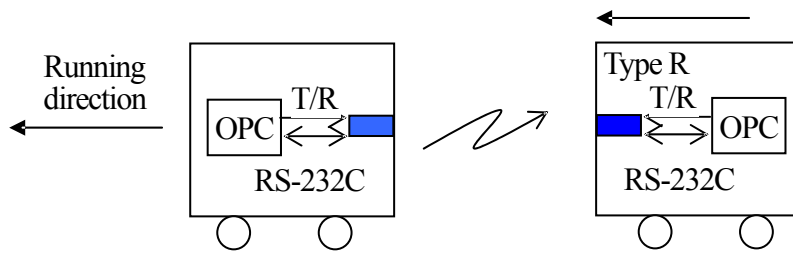
1010 Cambourne Business Park, Cambridge, CB23 6DP UK.

Tel +44 (1223) 923 930 : Fax +44 (1223) 923 940
info@sentekeurope.com : www.sentekeurope.com

△ ₀	Revised all pages	All pages	Oct.29'01	Iguchi	FA-4450	
Symbol	Amended reason		Pages	Date	Corrector	Amended No.
Approved by	Checked by	Drawn by	Designed by	Title		
			MAEJIMA	Wide Area Serial Type Data Transmission Device DMW-GF2 Specifications		
				Drawing No.	C-42-3047	1/4

1. General

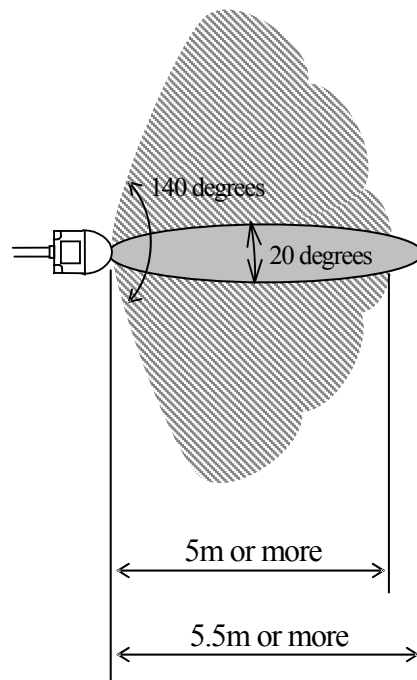
This device transmits current position of running vehicle to rear vehicle and control the distance between them. Vehicle is running before and after and so this device can change transmission mode or reception mode with vehicle controller.



T(Transmission) mode : Only transmission, Reception stops

R(Reception) mode : Only reception, Transmission stops

2. Area characteristics(Horizontal direction)



Transmission distance : approx. 5m

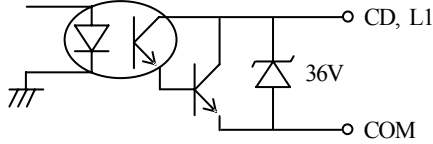
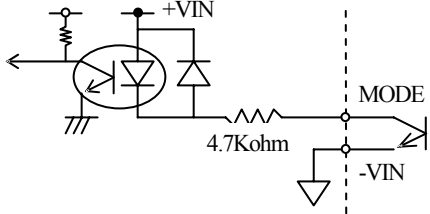
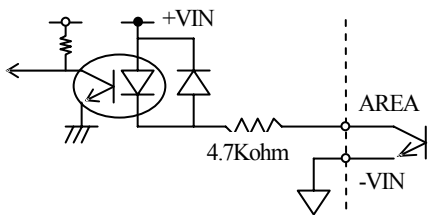
Directional angle(Full angle) : 20 degrees/140 degrees area changeover

Title	Wide Area Serial Type Data Transmission Device DMW-GF2 Specifications	Drawing No.	C-42-3047	2/4
-------	--	----------------	-----------	-----

3. Specifications

Model No.	DMW-GF2
Power source	24VDC +/- 10%
Current consumption	200mA
Transmission speed	DC to 9600BPS
Transmission system	Two-way transmission(T/R changeover)
Modulated frequency	230kHz
LED	POW : Power lamp SD : Input data lamp RD : Output data lamp CD : Light-reception lamp L1 : Light-reception level lamp MODE : Operation mode lamp('T' when LED lights up) AREA : Area changeover lamp('20°' when LED lights up)
Interface	RS-232C
Control input	T/R mode changeover(MODE), Photo-coupler input 5mA, Area changeover(AREA), Photo-coupler input 5mA
Connection	Cable type 150mm
Ambient temperature	-10 to +50 degrees C
Ambient illuminance	10,000lux or less
Vibration resistance	Double amplitude 1.5mm, 10 to 50Hz, Each 10 time in X, Y and Z directions
Impact resistance	490m/s ² , 10 time in X, Y and Z directions
Protective structure	IP54

4. External connection

Symbols	Specifications	Circuit diagram/Remarks
+VIN -VIN	Power 24VDC	
CD	Carrier detect 5.5m or more when AREA 20° 5m or more when AREA 140°	<p>* Photo-coupler transistor output Max. 30V, 50mA * ON when carrier detect</p> 
L1	Light-reception level output Approx. 1.4m when AREA 20° Approx. 1.2m when AREA 140° (It is possible to make fine adjustment by outer adjuster.)	
COM	Output common	
MODE	T/R mode changeover input T mode by connecting to -VIN R mode by opening it	
AREA	Area changeover input Full angle 20° by connecting to -VIN. Full angle 140° by opening it	

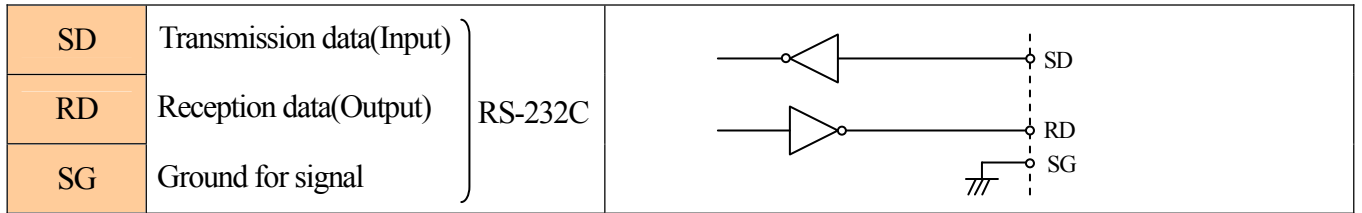
Title

Wide Area Serial Type Data Transmission Device
DMW-GF2 Specifications

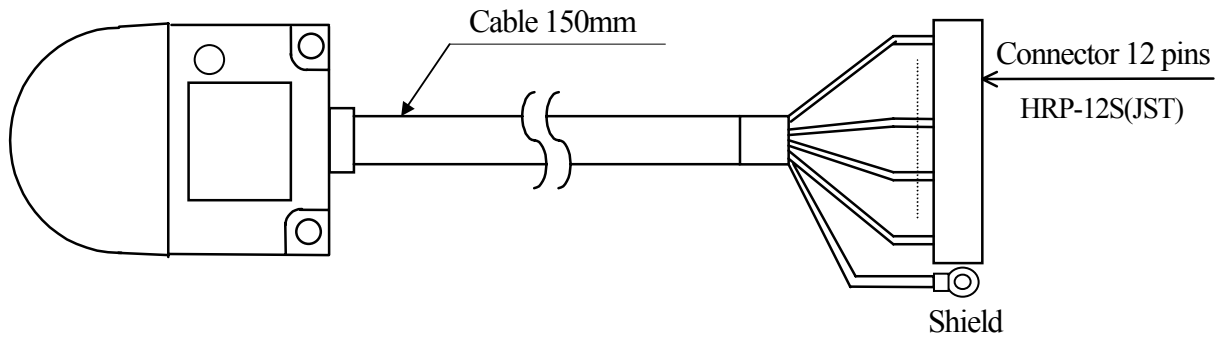
Drawing
No.

C-42-3047

3/4



5. Connection diagram



Colors	Pin No.	Functions
Red	1	SD
Green	2	RD
Black	3	SG
Orange	4	MODE
Yellow	5	AREA
Purple	6	L1
Gray	7	CD
White	8	COM(0V)
Brown	9	+VIN
Blue	10	-VIN
	11	
	12	
Shield		Shield

Note) Make sure to connect shield to FG



Europe's Official HOKUYO Distributor

1010 Cambourne Business Park, Cambridge, CB23 6DP UK.

Tel +44 (1223) 923 930 : Fax +44 (1223) 923 940

info@sentekeurope.com : www.sentekeurope.com

Title	Wide Area Serial Type Data Transmission Device DMW-GF2 Specifications	Drawing No.	C-42-3047	4/4
-------	--	----------------	-----------	-----